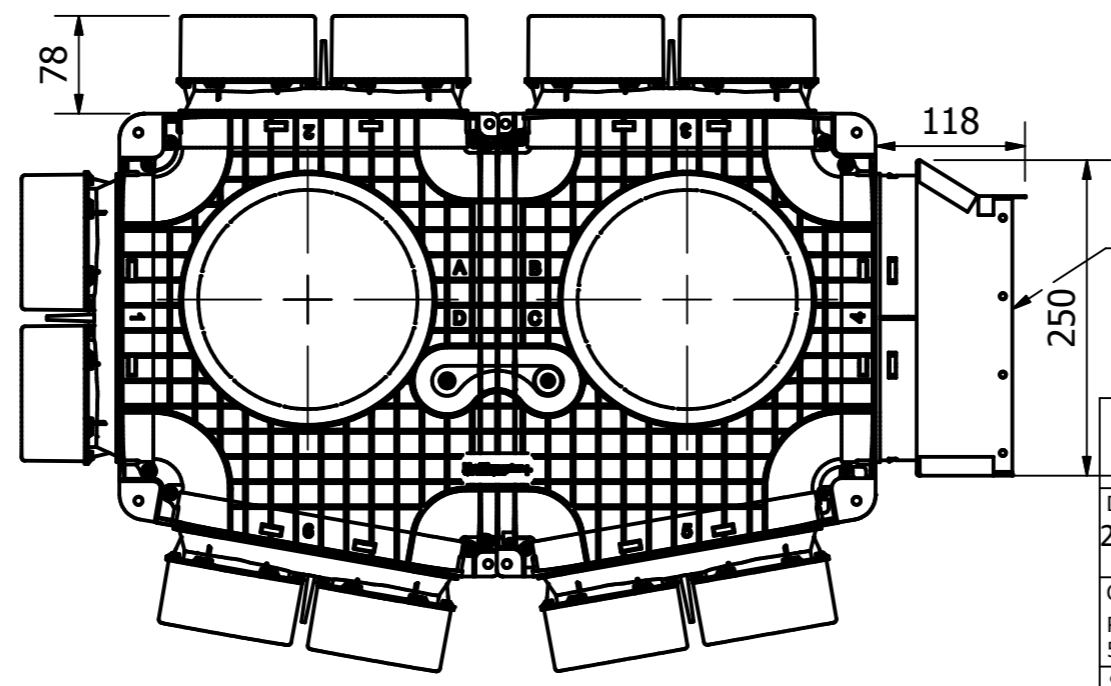
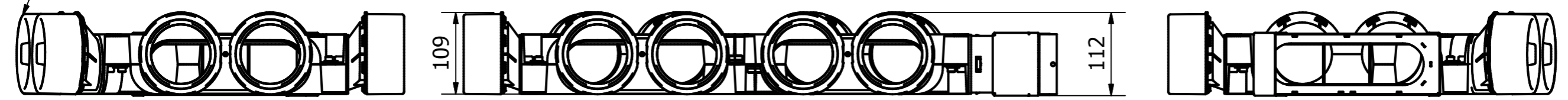


Connection for Ø90mm Uniflexplus+ Duct (10x)



Connection for metal rectangular tube (220x80)

PART NAME
K22222.DDDD220x80 Instortverdeler 1xK 10xØ90 4xD + 220x80

DRAWING NUMBER VENTILAIR 2005000389		MATERIAL Mixed		REVISION HISTORY			
COLOUR RAL 7035/ 5015		DATE 21-3-2019		REV	DATE	DESCRIPTION	BY
SCALE 1 : 6	PROJ A-A 	UNITS mm	SIZE A3	DRAWN BY RND			
<i>Vent-Axia</i>							